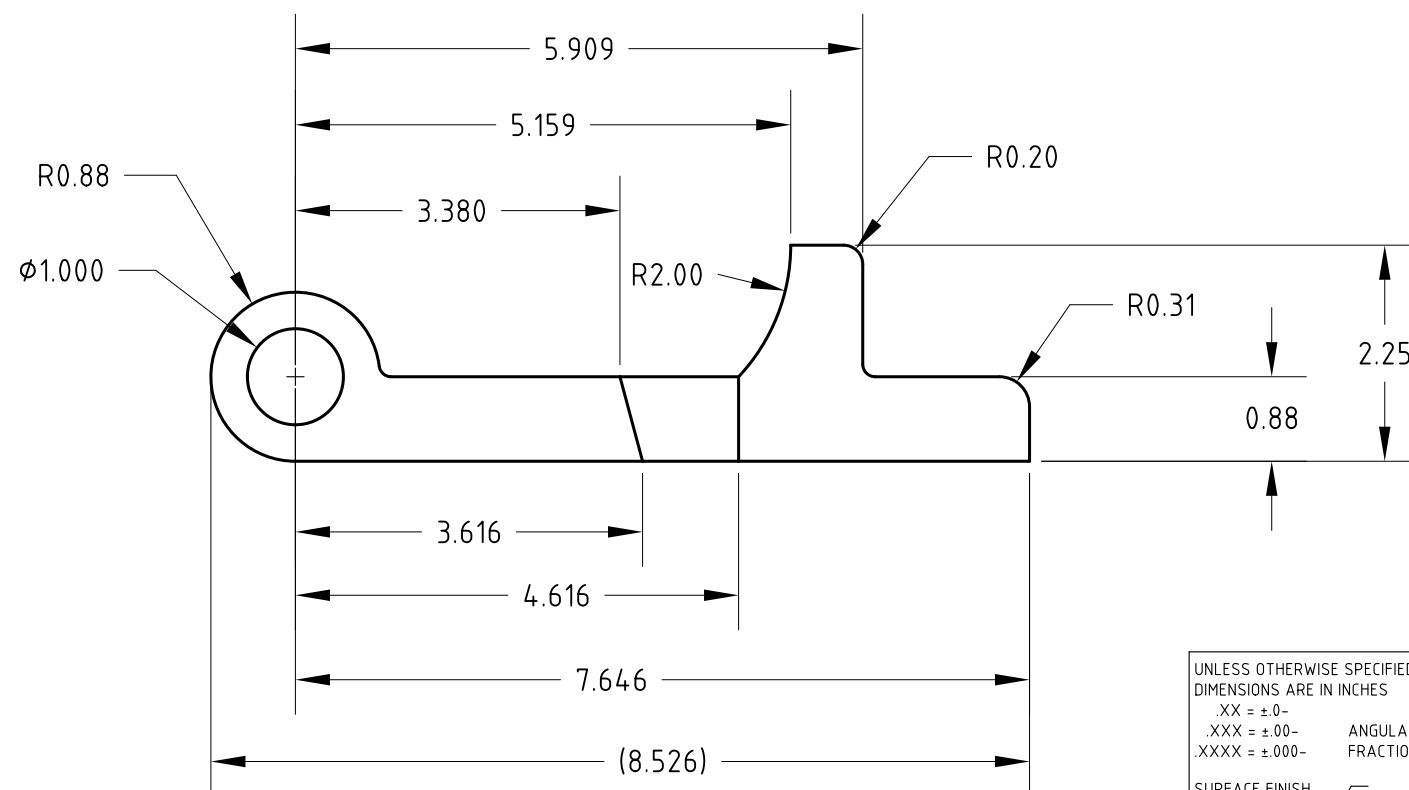
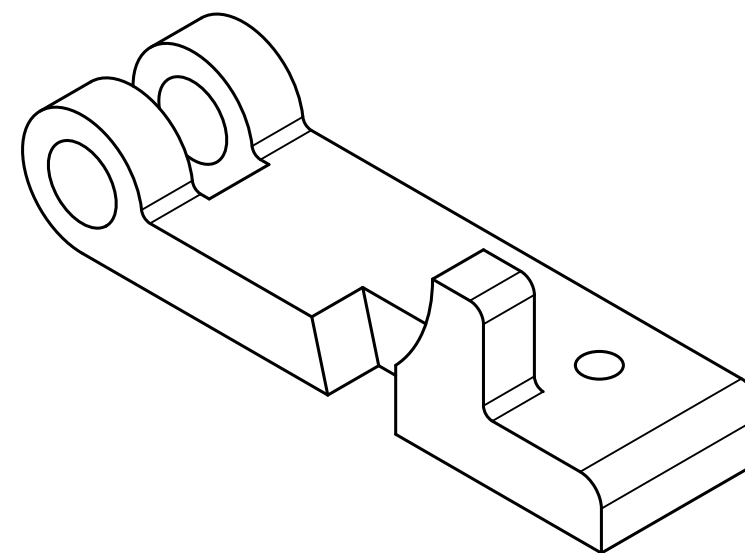
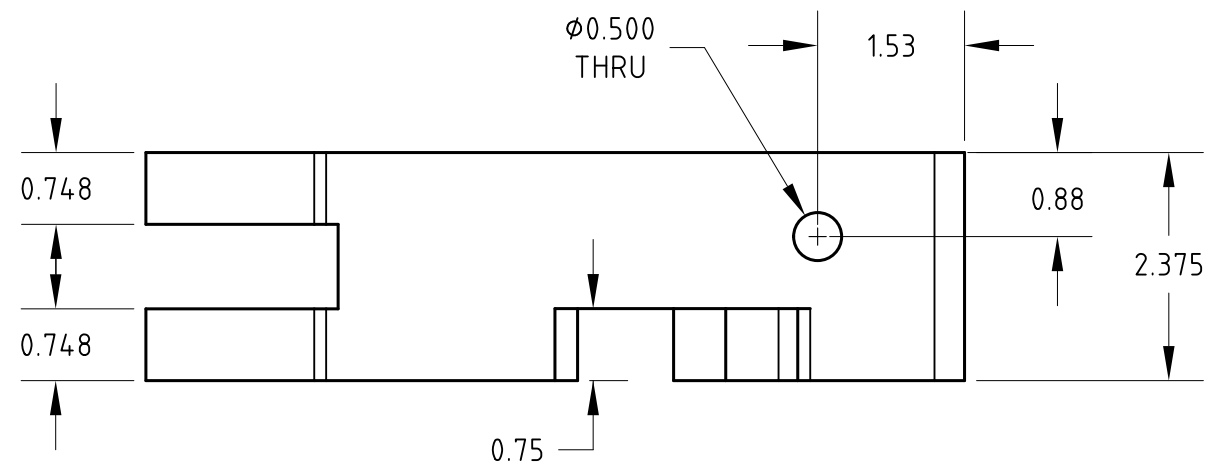


NOTES

- 1. REMOVE ALL BURRS AND SHARP EDGES.
- 2. UNDIMENSIONED RADII TO BE .13.



UNLESS OTHERWISE SPECIFIED,  
DIMENSIONS ARE IN INCHES  
.XX = ±.0-  
.XXX = ±.00-  
.XXXX = ±.000-  
SURFACE FINISH ✓  
DO NOT SCALE DRAWING  
BREAK ALL SHARP EDGES AND REMOVE  
BURRS  
THIRD ANGLE PROJECTION

	NAME	DATE
DRAWN	FastwayJim	06/06/2016
CHECKED		
APPROVED		
MATERIAL	FINISH	

Part 4 Dwg			
TITLE		-----	
SIZE	DWG NO.	REV.	
B	-----	-	
SCALE	WEIGHT	SHEET	1 of 1